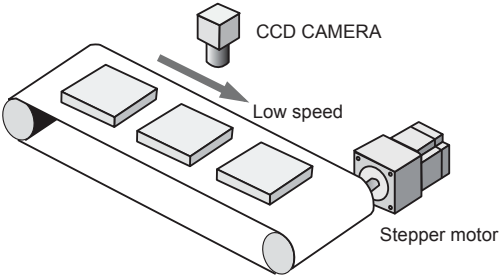
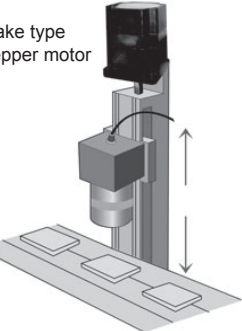
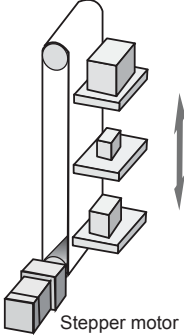
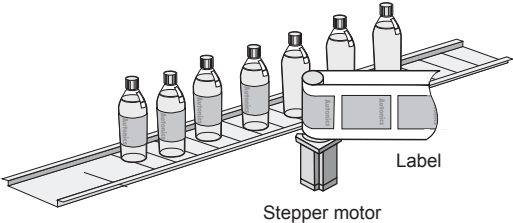
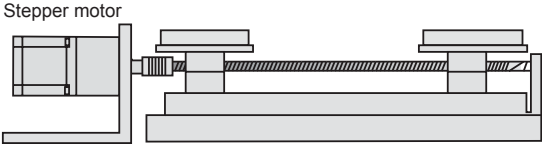
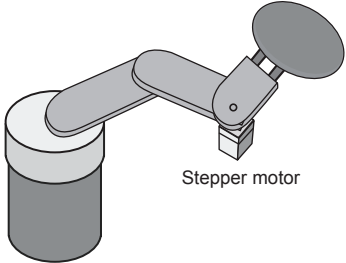
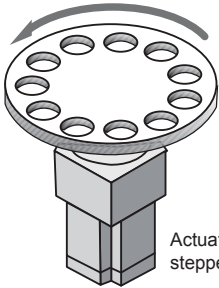
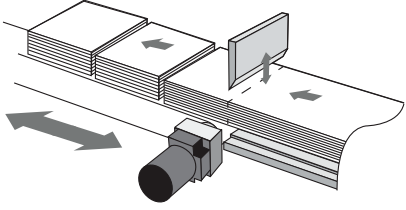


## ■ Applications

<p style="text-align: center;">Inspection facilities</p>  <p style="text-align: center;">Stepper motor</p>	<p style="text-align: center;">Inspection facilities</p>  <p style="text-align: center;">Brake type stepper motor</p>
<p style="text-align: center;">Belt drive</p>  <p style="text-align: center;">Stepper motor</p>	<p style="text-align: center;">Label position control in packaging machine</p>  <p style="text-align: center;">Stepper motor</p>
<p style="text-align: center;">Ball screw drive</p>  <p style="text-align: center;">Stepper motor</p>	<p style="text-align: center;">Wafer transfer robot control</p>  <p style="text-align: center;">Stepper motor</p>
<p style="text-align: center;">Index Table</p>  <p style="text-align: center;">Actuator type stepper motor</p>	<p style="text-align: center;">Cutting position control</p>  <p style="text-align: center;">Stepper motor</p>

- (A) Photoelectric Sensors
- (B) Fiber Optic Sensors
- (C) Door/Area Sensors
- (D) Proximity Sensors
- (E) Pressure Sensors
- (F) Rotary Encoders
- (G) Connectors/ Sockets
- (H) Temperature Controllers
- (I) SSRs / Power Controllers
- (J) Counters
- (K) Timers
- (L) Panel Meters
- (M) Tacho / Speed / Pulse Meters
- (N) Display Units
- (O) Sensor Controllers
- (P) Switching Mode Power Supplies
- (Q) Stepper Motors & Drivers & Controllers
- (R) Graphic/ Logic Panels
- (S) Field Network Devices
- (T) Software