



86mm LED Tower Light - Aluminum Body (LED Lamp replacement type)

USER MANUAL

Congratulations on your decision to purchase a Menics product. Before operation, read and comprehend its contents for correct and safe use. Do not discard this User Manual. Keep it readily available for reference during use or when performing any service related function.

Safety Caution

- Always observe rules of "Safety Caution" for safe and correct use of products and for prevention of accident or danger.
- "Safety Caution" is divided into two categories, i.e., 'caution' and 'warning', details of which read as below.

Warning

Possibilities where incorrect use or violation of instructions may result in serious personal injury or even death.

Caution

Possibilities where incorrect use or violation of instructions may result in minor personal injury.

The meaning of the picture symbols used in the product and User manual are as follows.

Warning symbol is the sign meaning attention needs to be paid because there is the concern of risk occurrence under certain condition.

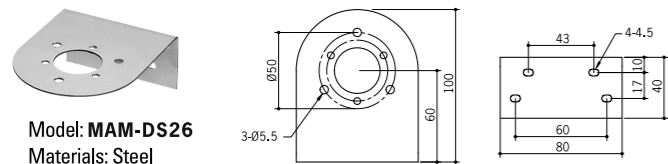
Warning

- Always attach a dual safety device on life or property-affecting devices (e.g., atomic control, medical devices, automotive vehicles, railway vehicles, airplanes, combustion devices, amusement devices or safety devices) before use. (Fire, personal injury, serious property loss may occur.)
- Do not disassemble or alter the product. Contact us for service related functions including inner inspection and repair. (Fire, electrocution and product damage may occur.)
- Avoid wiring, inspecting and repairing while power is being supplied. (Electrocution may occur.)
- Always use rated input voltage, and use a standard electric cord for each product. (Fire and electrocution may occur.)
- Always check if an electric connection is proper before applying a power source. (Fire, electrocution and product damage may occur.)
- Avoid using an excessive electricity higher than rated voltage. (Fire and product damage may occur.)
- Avoid using the product outdoors, at explosion-prone places, at places near inflammable substances, water, combustible substances and vibration. (Fire, electrocution and personal injury may occur.)

Caution

- Do not disassemble, repair, or modify the product, otherwise severe accidents may result, such as electric shocks, damage, fire, or malfunction.
- Do not pull out or push in the cable of the product, otherwise damage may result. Give slack to the cable while wiring.
- Turn off the power to the product before mounting, dismantling, wiring, and assembling the LED unit. Make sure of correct wiring, otherwise electric shocks or fire may result.
- Do not place obstacles obstructing ventilation near product. (Product damage or product deformation may occur due to heat.)
- In case abnormality happens to the product, unplug the input power connection immediately. (There is the danger of fire or product damage.)
- Avoid using at a place of high vibration level. (Product damage may occur.)
- Avoid using water or detergent when cleaning, and clean with dry cloth. (Electrocution may occur.)

Accessory parts (wall mounting bracket) (Unit: mm)



Description

- Main Body: Corrosion resistant anodized aluminum
- Replaceable LED module by colors
- Use long-life High-brightness LED
- Excellent visibility in any direction, any distance
- Apply 100dB buzzer

1. Ordering Information

ML8M - F 3 0 0 - R Y G - B

① ② ③ ④ ⑤ ⑥

1. Body length

| | |
|---|-------------------|
| S | 100mm Small body |
| M | 150mm Middle body |
| L | 200mm Long body |

2. Stacks style

| | |
|---------|----------------------------|
| No mark | Steady |
| F | Steady + Flashing |
| B | Steady + Flashing + Buzzer |

3. Number of stacks

| | | | |
|---|----------|---|----------|
| 1 | 1 Stack | 4 | 4 Stacks |
| 2 | 2 Stacks | 5 | 5 Stacks |
| 3 | 3 Stacks | | |

4. Power Supply

| | |
|----|--------------|
| 00 | 12~24V AC/DC |
| FF | 90~240V AC |

5. Lens Color (Top to bottom)

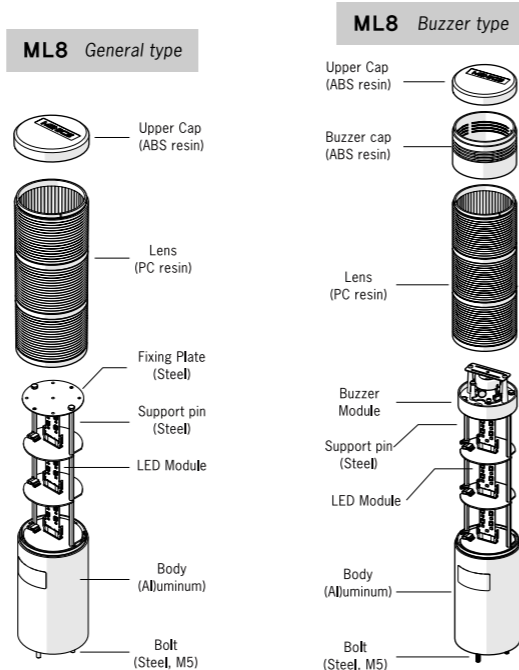
| | | | |
|---|--------|---|-------|
| R | Red | B | Blue |
| Y | Yellow | C | Clear |
| G | Green | | |

6. Body Color (Option)

| | |
|---|-------------------------|
| B | Aluminum Black Anodized |
|---|-------------------------|

*The main body color: White Anodized

2. Part name

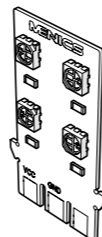


Replaceable LED PCB Lamp

- Available 5 colors Red/Yellow/Green/Blue/White
- Each LED module can be used by each socket base in common.

| | |
|-------------|----------|
| Red LED: | M8-12V-R |
| Yellow LED: | M8-12V-Y |
| Green LED: | M8-12V-G |
| Blue LED: | M8-12V-B |
| White LED: | M8-12V-W |

* Input Power: DC 12V
* Current: 100mA±10%



3. Specification

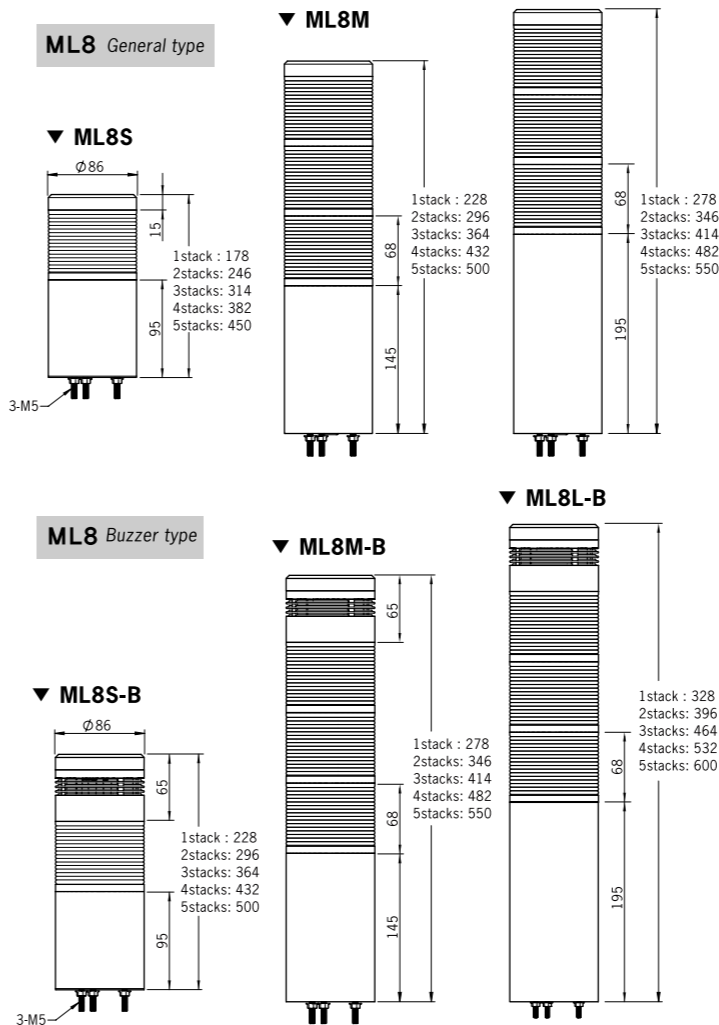
| | |
|-----------------------------|---|
| Functions | Steady, Flashing, Buzzer |
| Power supply | 12~24VAC/DC 90~240VAC (50/60Hz) |
| Dimension | 86 mm |
| Stacks | 1 ~ 5 can be stacked |
| Lens color | Red, Yellow, Green, bulb, Clear - Materials: PC resin |
| Flashing Rate | 80times/minute (±10%) |
| Buzzer volume | Adjustable sound: 10~100±5dB (at 1m) |
| Ambient Temperature | -15°C ~ 40°C |
| Storage ambient temperature | -20°C ~ 70°C |
| Ambient Humidity | 45 ~ 85% RH |
| Dielectric strength | 1000V AC 50/60Hz for 1min |
| Insulation resistance | 100MΩ minimum (500V DC megger) |
| Vibration | Operating extremes: 10 to 55Hz, amplitude 0.75mm |
| Approval | RoHS |
| Protection structure | IP65 / IP40(with Buzzer) |
| Wire size | 1007 UL / 22AWG |

Current consumption (±10%)

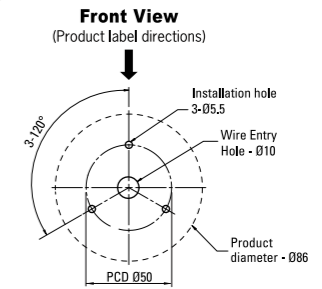
| Power supply | | 1stack | 2stacks | 3stacks | 4stacks | 5stacks |
|--------------|---------|--------|---------|---------|---------|---------|
| 12~24V | General | 0.15A | 0.30A | 0.40A | 0.50A | 0.60A |
| | Buzzer | 0.17A | 0.32A | 0.42A | 0.52A | 0.62A |
| 90~240V | General | 0.02A | 0.04A | 0.05A | 0.06A | 0.07A |
| | Buzzer | 0.03A | 0.04A | 0.05A | 0.06A | 0.07A |

Note: Life of the LED varies according to operating conditions and environment.

4. Dimension (Unit:mm)



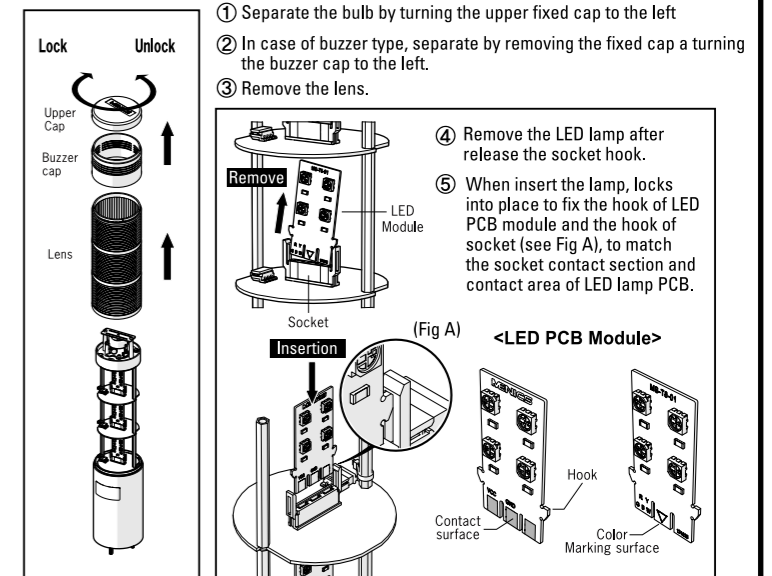
6. Panel Cut-Out (Unit: mm)



7. LED Lamp replacement & Assembly method

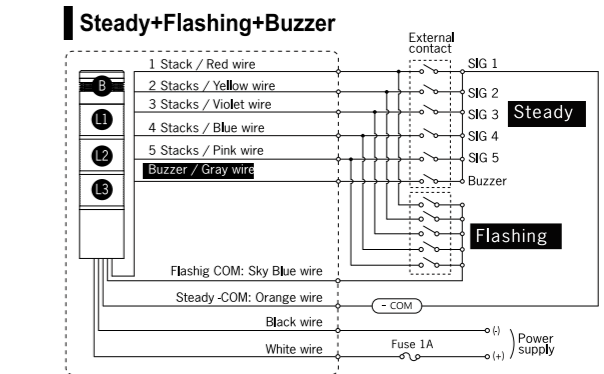
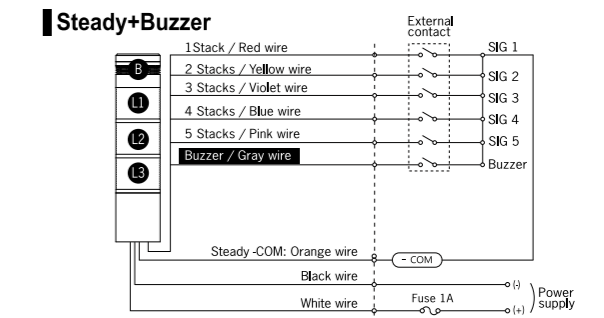
- Avoid dissembling and replacing LED Lamp while a power is being supplied. (Electrocution may occur)
- Avoid replacing LED Lamp right after the power supply is interrupted. (LED Lamp heat may result in personal injuries)
- Always replace using LED Lamp supplied by and on our specification.

Comply with and read the following procedures when replacing the LED Lamp.



8. Wiring Example

- Always disconnect all power supply before performing the wiring work. (Electrocution may occur and inner circuits may be damaged.)



Do not connect the power line and flashing or steady lines. (Orange wire, Sky blue wire) It may cause damage to the product.



118-1, Ungbongdan-gil, Yangsan-si, Gyeongsangnam-do, Korea, 50524
TEL : 82-55-371-5200 FAX: 82-55-371-5202
http://www.menics.co.kr E-mail: menics@chol.com

Made in Korea